

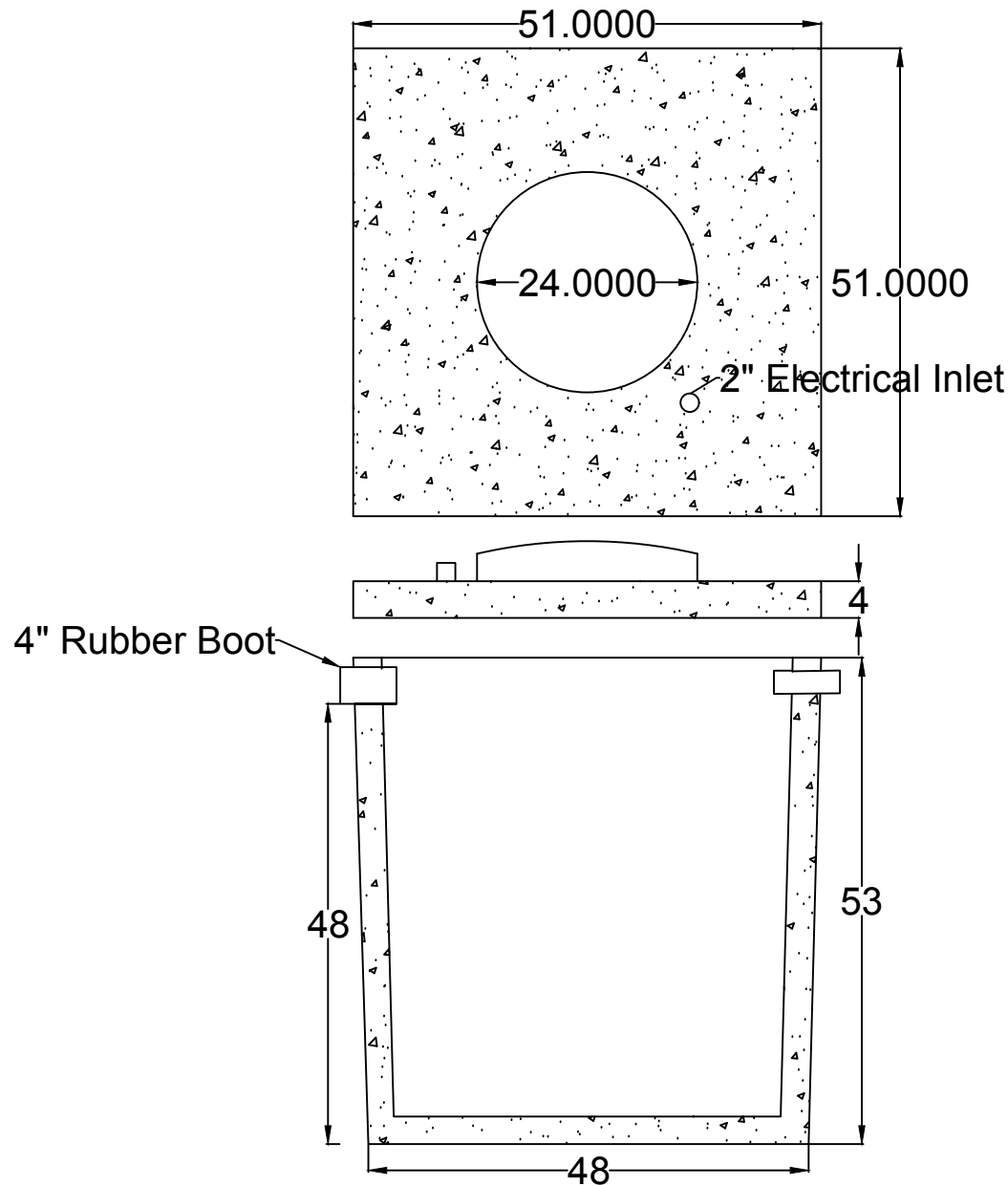
DAN'S
Pre-Cast
LTD.

6100 Scott Rd.
 Duncan, B.C.
 V9L6G9

www.dansprecast.com
 250-746-7400

Details:

1. Concrete Strength to be 32 MPa @ 28 days
2. Lid Reinforced with 10M @ 12" ea. way
3. Concrete contains MacMatrix 2" Fibers
4. Lid & Bottom sealed with Conseal CS-665
5. 100mm Rubber boot cast into wall of tank for Inlet, 2" for Outlet
6. 24" Polylok Riser and Lid
7. CS 600 Loading Tank & Lid Available



Total Tank Volume: 300 Imp. Gal. Approximate Tank Weight: 4,047lbs

Date	August 13, 2017
Drawing No.	300 PUMP CHAMBER